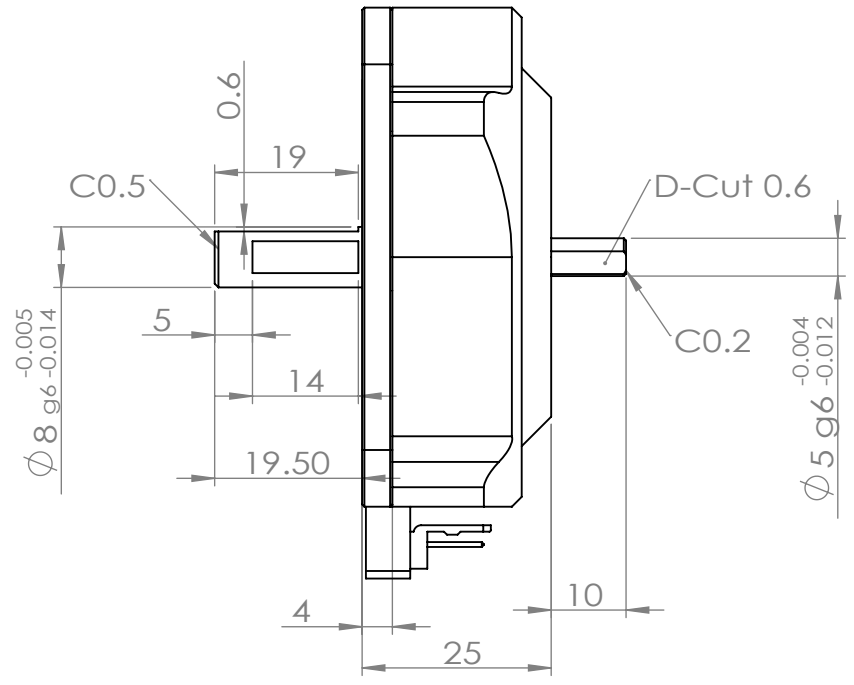
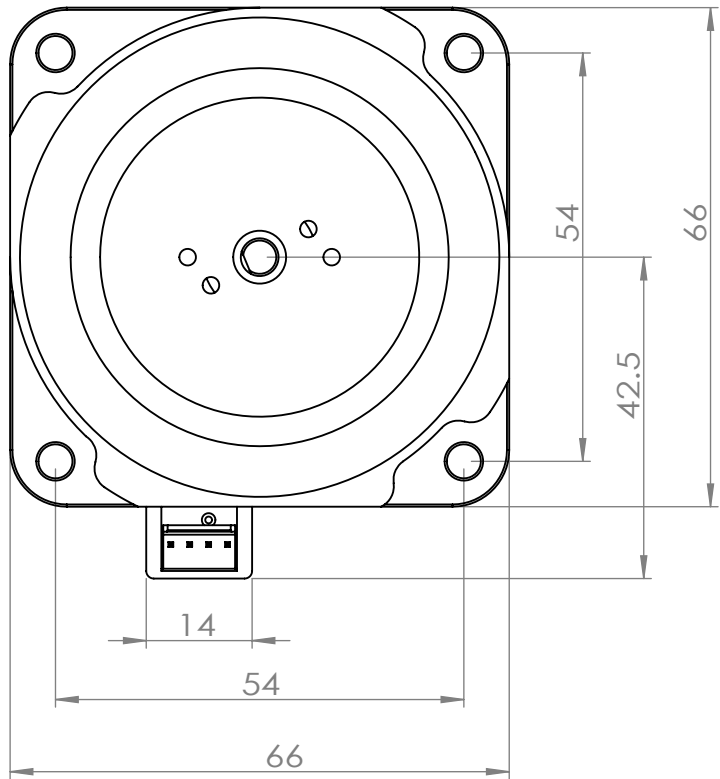
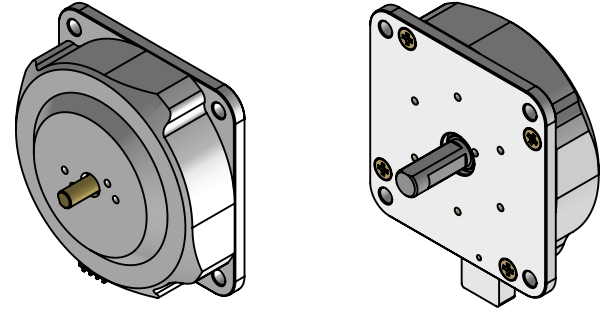


1 2 3 4 5 6

A
B
C
D



Parts Number		Material · Treatment		Designer
Name / 名称			Version	Final Date
PSM60S-B			Ver. 4.0	2020/11/30
Sheet	SCALE: 1:1	A4	Page: 1 / 1	株式会社 Piezo Sonic